

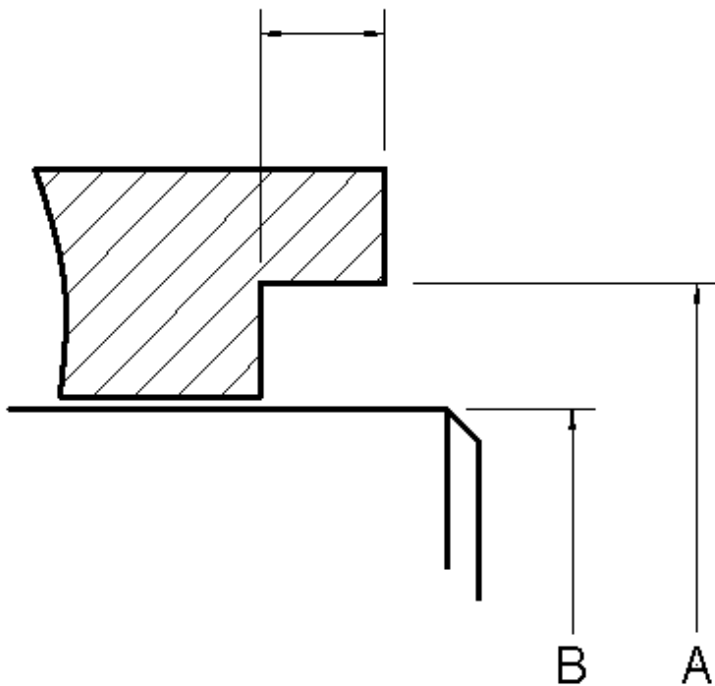
## Profile Quotation Form

Please fill in corresponding information

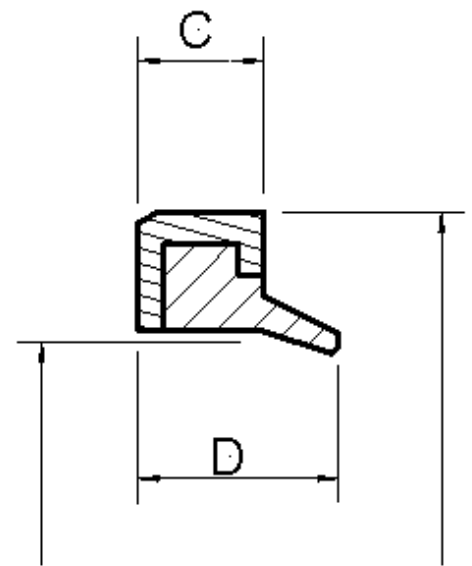
# HA103

## Press-In Wiper

### Hardware Dimensions



### Seal Dimensions



A: _____ B: _____ C: _____ D: _____	<b>Material:</b> _____ Additional Notes:
--	---