

Profile Quotation Form

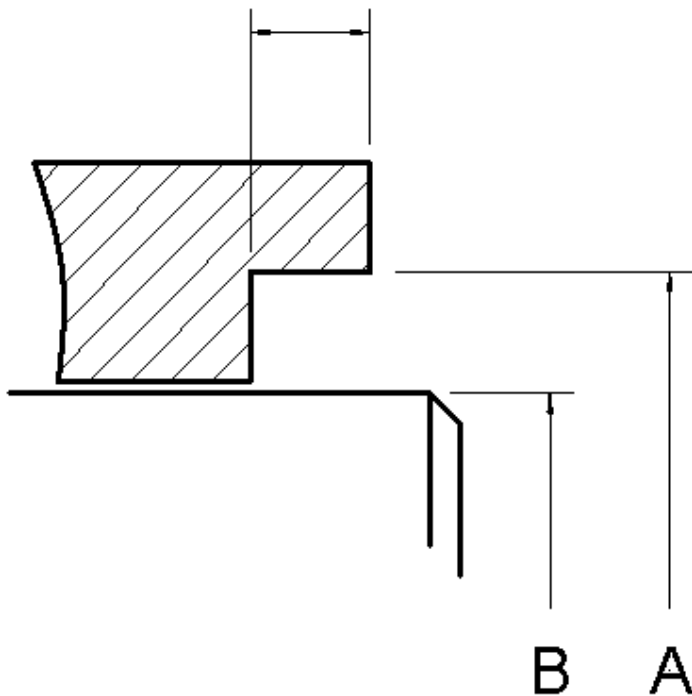
Please fill in corresponding information

12-89 Galaxy Blvd. T (416) 675-2505
 Toronto, Ontario 1-800-668-7970
 M9W 6A4 F (416) 675-4341
 seals@hallite.ca
 www.hallite.ca

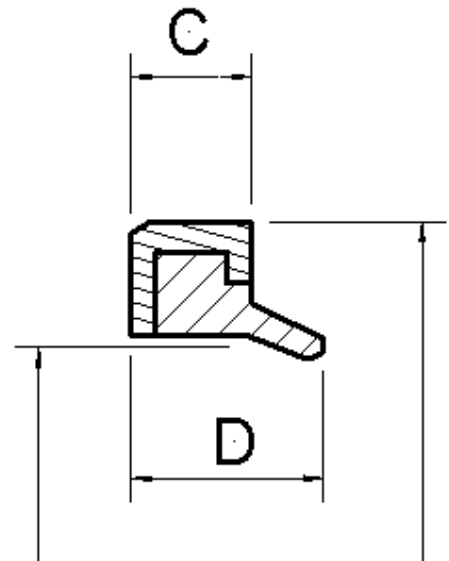
HA106

Press-In Wiper (Pneumatic)

Hardware Dimensions



Seal Dimensions



A: _____ B: _____ C: _____ D: _____	Material: _____ Additional Notes: _____
--	---