

## Profile Quotation Form

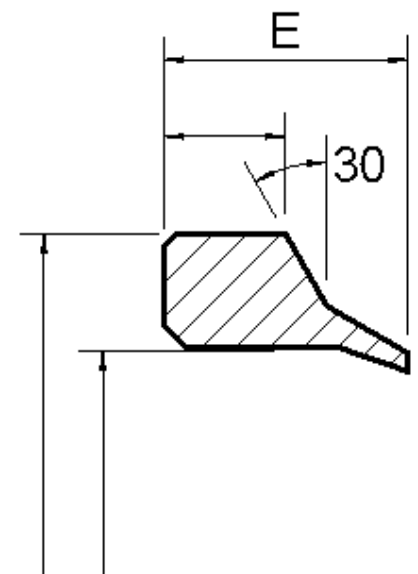
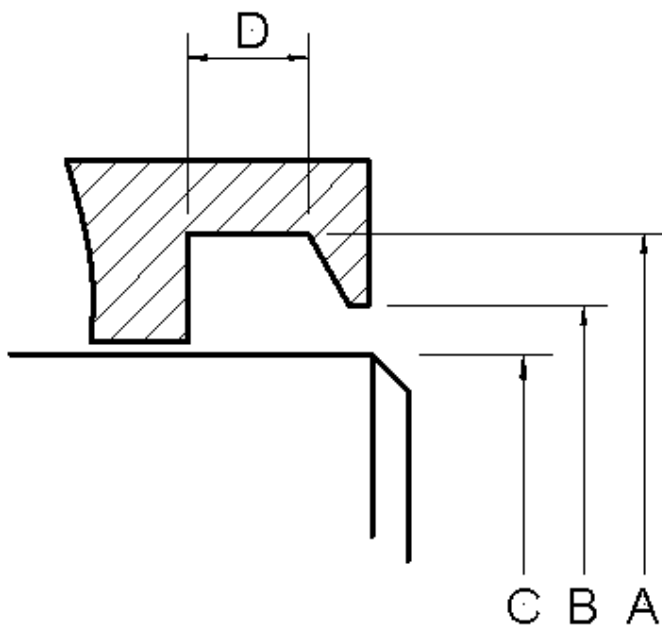
Please fill in corresponding information

# HA107

## K Type Wiper

### Hardware Dimensions

### Seal Dimensions



<p>A: _____</p> <p>B: _____</p> <p>C: _____</p> <p>D: _____</p> <p>E: _____</p>	<p><b>Material:</b> _____</p> <p>Additional Notes:</p>
---	--