

## Profile Quotation Form

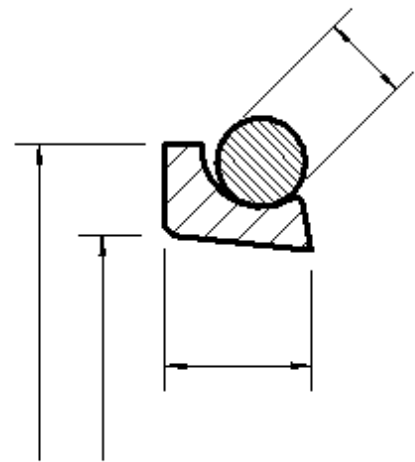
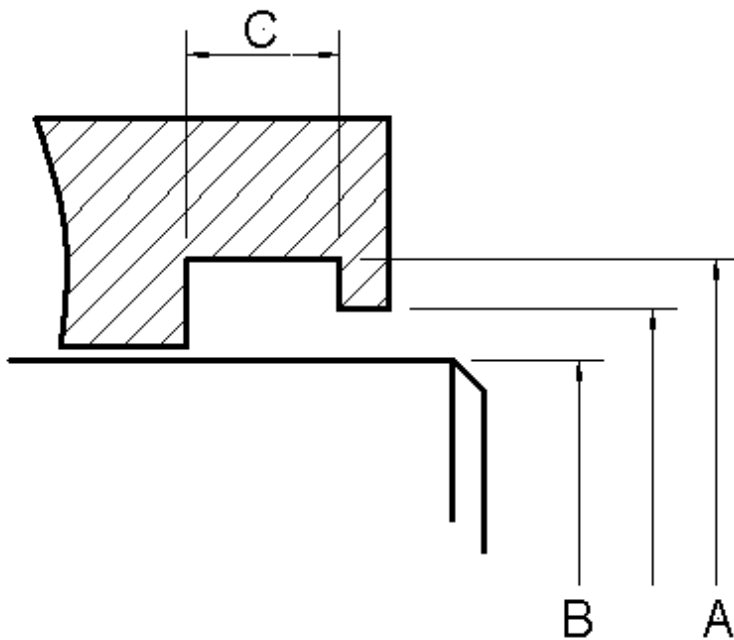
Please fill in corresponding information

# HA115

Wiper

### Hardware Dimensions

### Seal Dimensions



<p>A: _____ B: _____ C: _____</p>	<p><b>Material:</b> _____ Additional Notes:</p>
---	---