

Profile Quotation Form

Please fill in corresponding information

12-89 Galaxy Blvd.
Toronto, Ontario
M9W 6A4

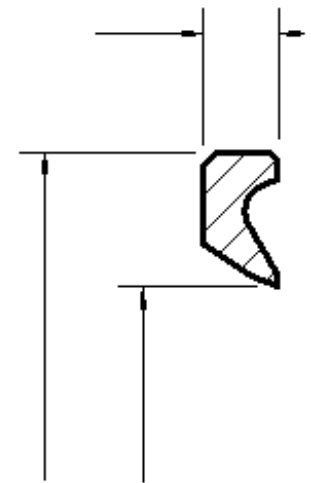
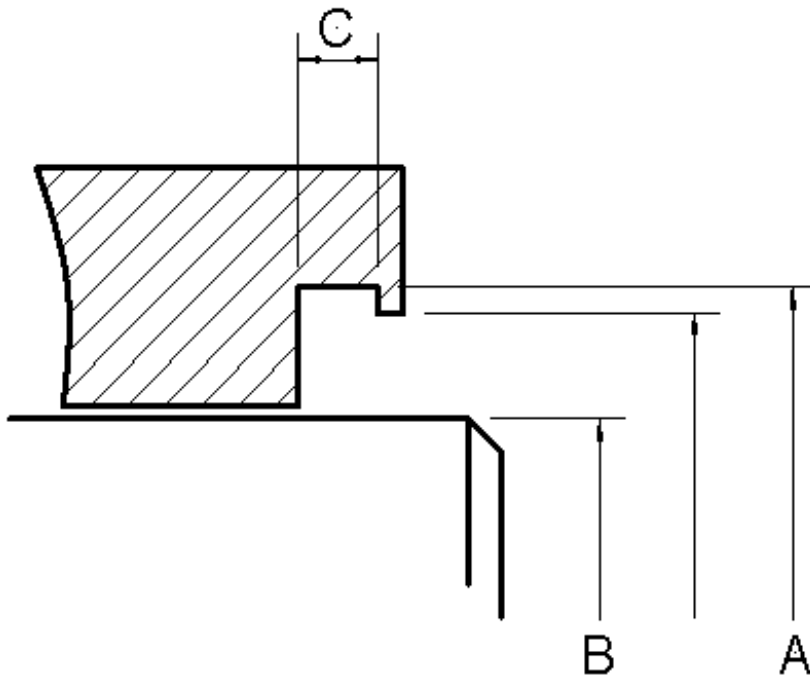
T (416) 675-2505
1-800-668-7970
F (416) 675-4341
seals@hallite.ca
www.hallite.ca

HA213

Wiper

Hardware Dimensions

Seal Dimensions



<p>A: _____ B: _____ C: _____</p>	<p>Material: _____ Additional Notes:</p>
---	---