

Profile Quotation Form

Please fill in corresponding measurements

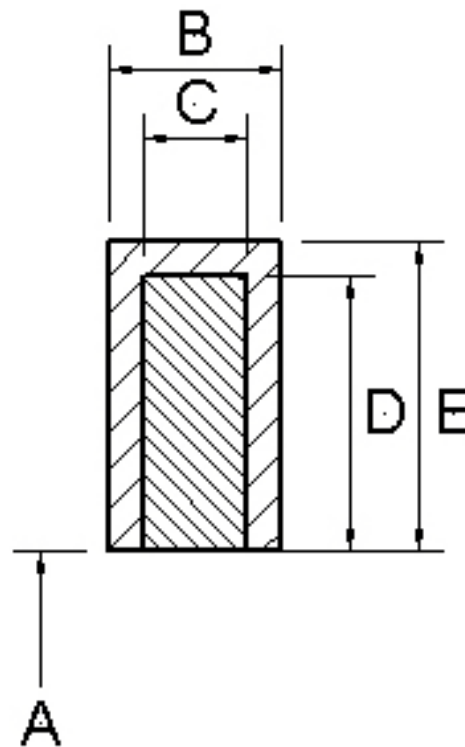
12-89 Galaxy Blvd.
Toronto, Ontario
M9W 6A4

T (416) 675-2505
1-800-668-7970
F (416) 675-4341
seals@hallite.ca
www.hallite.ca

HFL104

Loaded Gasket

Seal Dimensions



A: _____ B: _____ C: _____ D: _____ E: _____	Material: _____ Additional Notes:
--	---