

Profile Quotation Form

Please fill in corresponding measurements

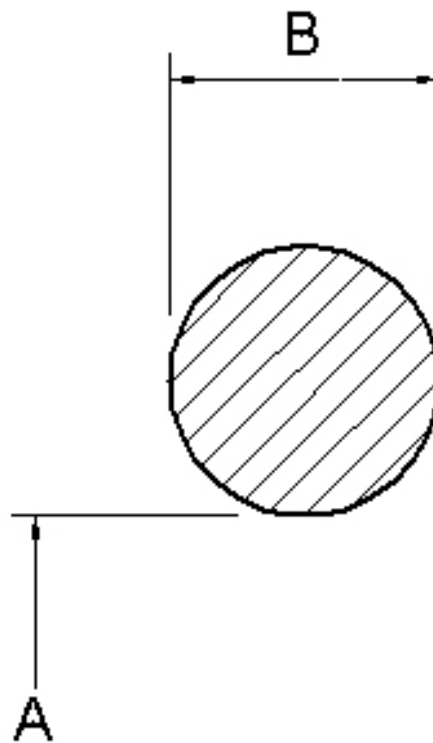
12-89 Galaxy Blvd.
Toronto, Ontario
M9W 6A4

T (416) 675-2505
1-800-668-7970
F (416) 675-4341
seals@hallite.ca
www.hallite.ca

HFL106

O - Ring

Seal Dimensions



<p>A: _____ B: _____</p>	<p>Material: _____ Additional Notes:</p>
------------------------------	---