

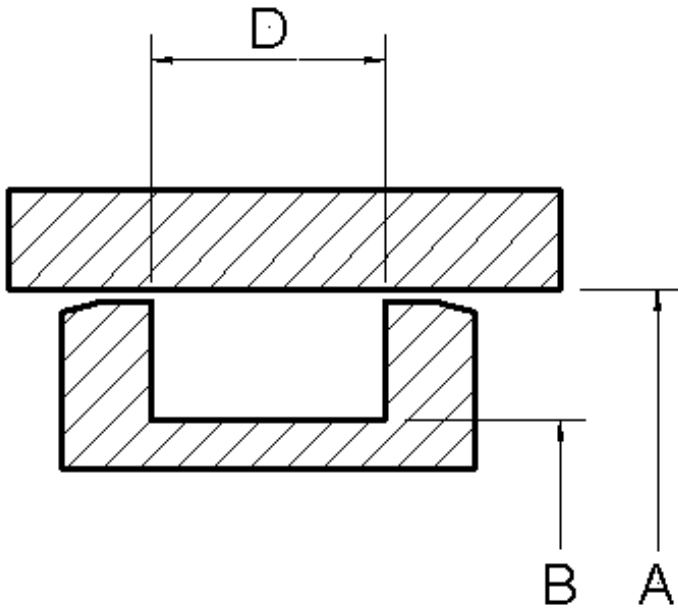
## Profile Quotation Form

Please fill in corresponding information

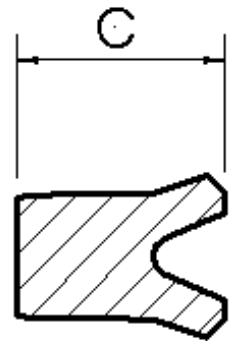
# HK106

## Piston Seal

### Hardware Dimensions



### Seal Dimensions



<p>A: _____</p> <p>B: _____</p> <p>C: _____</p> <p>D: _____</p>	<p><b>Material:</b> _____</p> <p>Additional Notes: _____</p>
---	--