

Profile Quotation Form

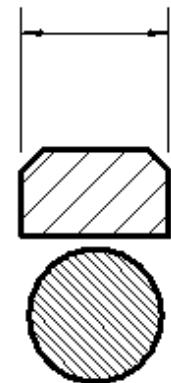
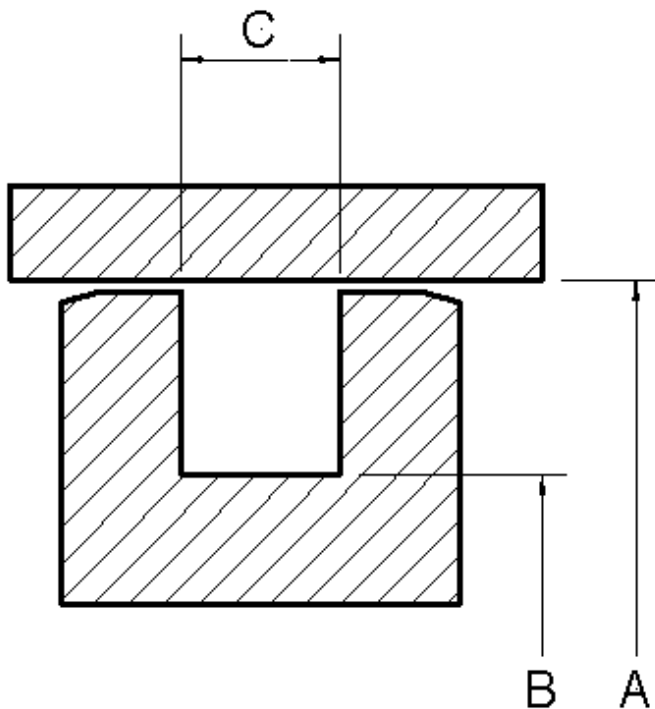
Please fill in corresponding information

HK108

Piston Seal

Hardware Dimensions

Seal Dimensions



<p>A: _____</p> <p>B: _____</p> <p>C: _____</p> <p>D: _____</p>	<p>Material: _____</p> <p>Additional Notes:</p>
---	--