

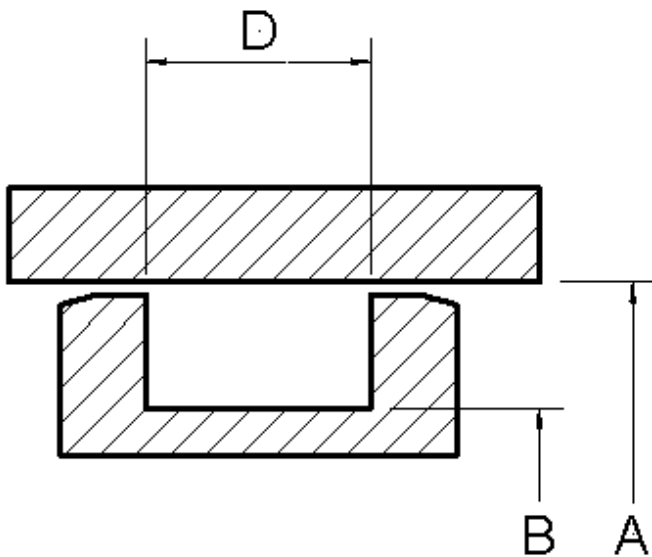
Profile Quotation Form

Please fill in corresponding information

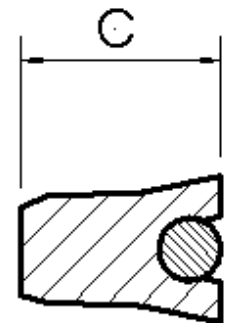
HK118

Piston Seal

Hardware Dimensions



Seal Dimensions



<p>A: _____ B: _____ C: _____ D: _____</p>	<p>Material: _____ Additional Notes: _____</p>
--	---