

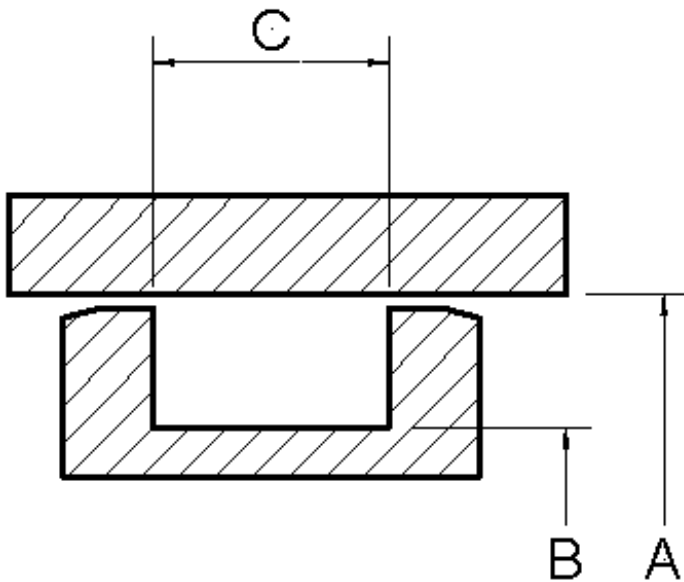
Profile Quotation Form

Please fill in corresponding information

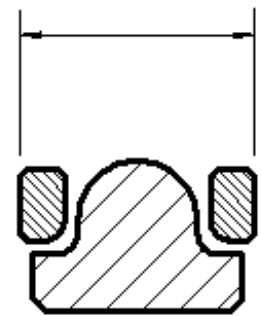
HK120

Piston Seal

Hardware Dimensions



Seal Dimensions



<p>A: _____ B: _____ C: _____</p>	<p>Material: _____ Additional Notes:</p>
---	---