

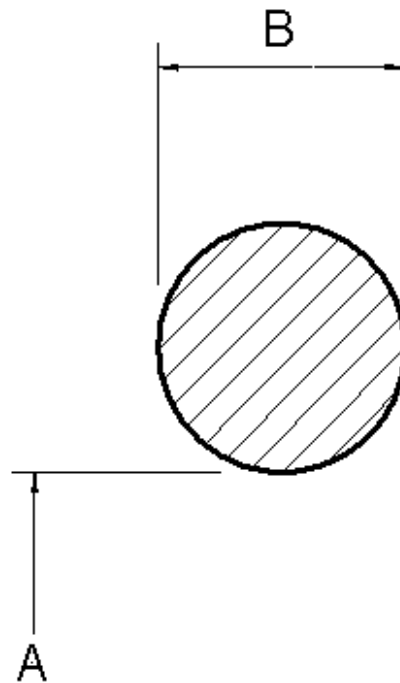
Profile Quotation Form

Please fill in corresponding information

HR109

O - Ring

Seal Dimensions



A: _____ B: _____	Material: _____ Additional Notes: _____
----------------------	---