

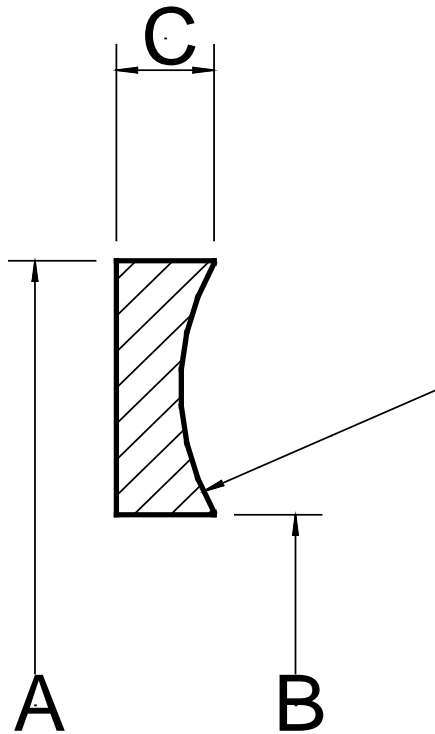
Profile Quotation Form

Please fill in corresponding measurements

HST109

Back Up

Seal Dimensions



A: _____ B: _____ C: _____	Material: _____ Additional Notes:
----------------------------------	---------------------------------------------