

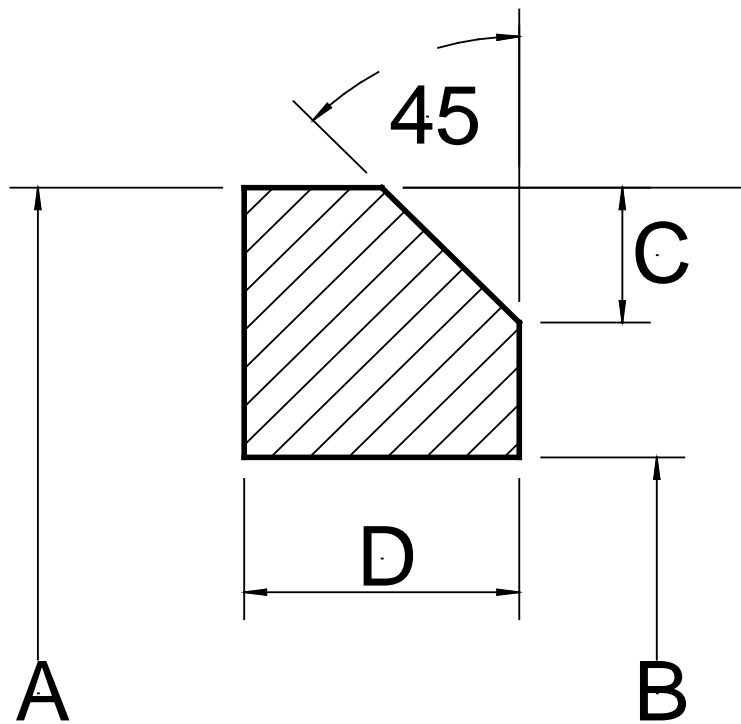
Profile Quotation Form

Please fill in corresponding measurements

HST110

Back Up Ring

Seal Dimensions



A: _____ B: _____ C: _____ D: _____	Material: _____ Additional Notes:
--	---