

## Profile Quotation Form

Please fill in corresponding measurements

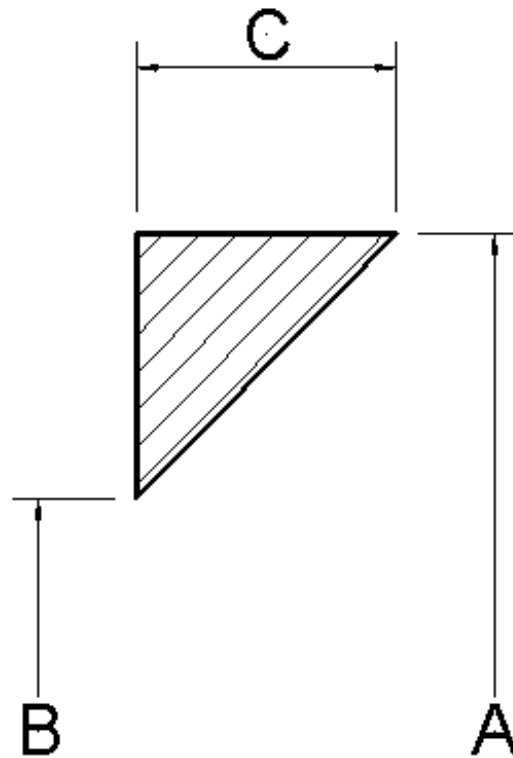
12-89 Galaxy Blvd.  
Toronto, Ontario  
M9W 6A4

T (416) 675-2505  
1-800-668-7970  
F (416) 675-4341  
seals@hallite.ca  
www.hallite.ca

# HST113

Back Up Ring

## Seal Dimensions



A: _____ B: _____ C: _____	<b>Material:</b> _____ Additional Notes:
----------------------------------	---